

W11000

4K Home Cinema Projector



Features

- 4K UHD Resolution
- 8.3 Million Pixels (Meets CEA 4K UHD Display Requirements)
- 4K Upscaling from 1080p
- THX 4K Certified Display
- Rec. 709 Color Fidelity
- CinemaMaster Video Enhancer
- 1.5x Zoom, H/V Lens Shift



Product Specifications

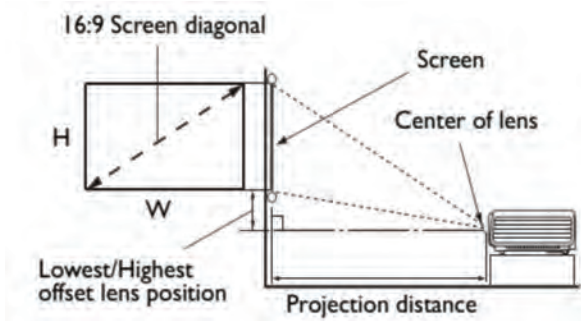
Projection System	DLP 4K UHD
Resolution	3840 x 2160 with XPR technology
Display Pixels	8.3 million
Brightness	2200 AL
FOFO Contrast Ratio	50,000:1 with Dynamic Iris
Display Color	1.07 Billion Colors
Lens	F=2.05 f= 20.5-30.4
Aspect Ratio	16:9
Throw Ratio	1.37 - 2.06 (100" @ 3m)
Image Size (Clear Focus / Maximum)	95"-180" / 300"
Zoom Ratio	1.5:1
Lamp Type	PHILIPS 240W E22.7
Lamp Mode (Normal/Eco/SmartEco)*	3000 / 4000 / 6000 hours
Lens Shift	Vertical: ± 65% / Horizontal: ± 27%
Resolution Support	VGA (640 x 480) to 4K2K_RB (4096 x 2160) *RB = Reduced Blanking
Horizontal Frequency	15 - 102KHz
Vertical Scan Rate	23 - 120Hz
Color Wheel Segment	6-Segment (RGBRGB)
Color Wheel Speed	6x (50Hz), 4x (60Hz)
Compatibility	HDTV Compatibility 480i, 480p, 576i, 576p, 720p, 1080i, 1080p, 2560 x 1200, 3840 x 2160, 4096 x 2160 Video Compatibility NTSC, PAL, SECAM
Interface	PC (D-Sub) x 1 HDMI x 2 (HDMI 1.2.0 / HDCP 2.2 support x 1) USB (Type mini B) x 1 (Service) LAN x 1 RS232 x 1 DC 12V Trigger x 2 IR Receiver x 2 (Front & Back) IR in x 1
Physical	Dimensions (L x W x H) 470.7 x 224.9 x 564.7 mm Weight 14.8 kg
Power	Power Supply AC100 to 240V, 50 to 60 Hz Power Consumption Normal 353W, Eco 290W, Network Standby <6W, Standby <0.5W
Audible Noise	26 / 23 dBA (Normal / Economic mode)
On-Screen Display Languages	Arabic / Bulgarian / Croatian / Czech / Danish / Dutch / English / Finnish / French / German / Greek / Hindi / Hungarian / Italian / Indonesian / Japanese / Korean / Norwegian / Polish / Portuguese / Romanian / Russian / Simplified Chinese / Spanish / Swedish / Turkish / Thai / Traditional Chinese (28 Languages)
Picture Modes	** ISF Disabled: Bright / Vivid / Cinema / THX / Silence / User 1 / User 2 *** ISF Enabled: Bright / Vivid / Cinema / THX / Silence / User 1 / User 2 / ISF Night / ISF Day
Accessories	Standard Lens Cover Remote Control with Battery Power Cord (by region) User Manual CD Quick Start Guide Warranty Card Optional Spare Lamp Kit Ceiling Mount Anamorphic lens
Environmental Notice	Lamp in this product contains mercury. To dispose of the product or used lamps, consult your local environment authorities for regulations or see www.lamprecycle.org .

* Lamp life results will vary depending on environmental conditions and usage. Actual product's features and specifications are subject to change without notice.

** Default picture mode is THX.

*** When ISF is enabled, default picture mode is ISF Night.

Distance Chart

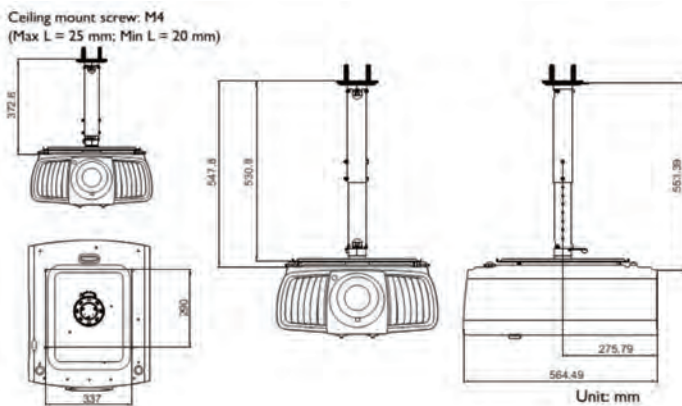


*The screen aspect ratio is 16:9 and the projected picture is in a 16:9 aspect ratio.

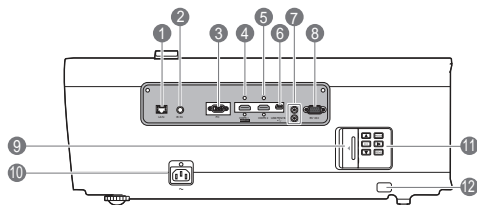
Screen size		Distance from screen (mm)			Lowest / Highest Lens position (mm)		
Diagonal	H (mm)	W (mm)	Min length	Average		Max length	
			(max. zoom)			(min. zoom)	
80	2032	996	1771	2400	3000	3600	149
90	2286	1121	1992	2700	3375	4050	168
100	2540	1245	2214	3000	3750	4500	187
110	2794	1370	2435	3300	4125	4950	205
120	3048	1494	2657	3600	4500	5400	224
130	3302	1619	2878	3900	4875	5850	243
140	3556	1743	3099	4200	5250	6300	262
150	3810	1868	3321	4500	5625	6750	280
160	4064	1992	3542	4800	6000	7200	299
170	4318	2117	3763	5100	6375	7650	318
180	4572	2241	3985	5400	6750	8100	336
190	4826	2366	4206	5700	7125	8550	355
200	5080	2491	4428	6000	7500	9000	374

For example, if you are using a 120-inch screen, the recommended projection distance is 4500 mm. If the measured projection distance is 520 cm, the closest match in the "Distance from screen (mm)" column is 5250 mm. Looking across this row shows that a 140" (about 3.6 m) screen is required.

Wall Mount / Ceiling Mount Chart



Input and Output Terminals



- ① RJ-45 LAN input jack
- ② IR-IN jack (For use with an IR extender cable to ensure better reception from the remote control.)
- ③ RGB (PC) / Component Video (YPbPr / YCbCr) signal input jack
- ④ HDMI input port (Version 2.0) and cable tie hole
- ⑤ HDMI input port (Version 1.4a) and cable tie hole
- ⑥ USB Mini-B port
- ⑦ 12VDC output terminals (Trigger external devices such as an electric screen or light control, etc.)
- ⑧ RS-232 control port
- ⑨ Door to external control panel
- ⑩ AC power jack and cable tie hole
- ⑪ External control panel
- ⑫ Kensington anti-theft lock slot

Dimensions



BenQ Europe B.V.

Meerenakkerweg 1-17
5652 AR Eindhoven
The Netherlands
Tel: +31 88 8889200
Fax: +31 88 8889299

BenQ.eu

© 2016 BenQ Corp. Specification may vary by region, please visit your local stores for details. Actual product's features and specifications are subject to change without notice. This material may include corporate names and trademarks of third parties which are the properties of the third parties respectively.

BenQ