



**Model Name** MW853UST Digital Projector

**Unique selling point**

- \* SmartEco Power Saving technology
- \* Blu-ray Full HD 3D Supported
- \* Up to 7000hours lamp life
- \* PointWrite interactive kit compatible

**Trade Mark**



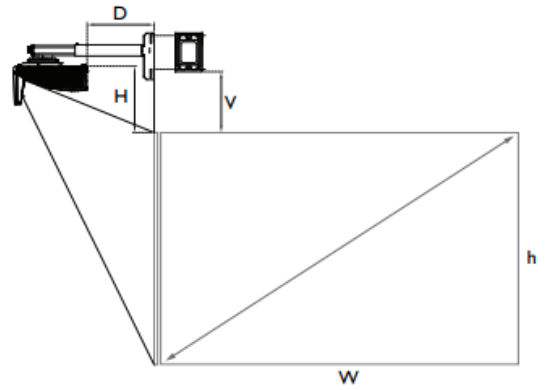
<b>Projection System</b>	DLP		
<b>Native Resolution</b>	WXGA(1200*800)		
<b>Brightness</b>	3200AL		
<b>Contrast Ratio</b>	8000:1		
<b>Display Color</b>	1.07 Billion Colors		
<b>Lens</b>	F2.5,f=5.1mm		
<b>Aspect Ratio</b>	Native 16:10 (5 aspect ratio selectable)		
<b>Throw Ratio</b>	0.35		
<b>Image Size (Diagonal)</b>	80"~100", Optimal 87"		
<b>Zoom Ratio</b>	Fix		
<b>Lamp Type</b>	230W		
<b>Lamp(Normal/Economic/SmartEco Mode)*</b>	4000/5000/7000 hours		
<b>Keystone Adjustment</b>	1D, Vertical +/- 40 degrees		
<b>Projection Offset</b>	140% ±5%		
<b>Resolution Support</b>	VGA(640 x 480) to UXGA(1600 x 1200)		
<b>Horizontal Frequency</b>	15~102KHz		
<b>Vertical Scan Rate</b>	23~120Hz		
<b>Compatibility</b>	HDTV Compatibility	480i, 480p, 576i, 576p, 720p, 1080i, 1080p	
	Video Compatibility	NTSC, PAL, SECAM	
<b>Interface</b>	Computer in (D-sub 15pin)	x 2(Shared with component)	
	Monitor out (D-sub 15pin)	x 1	
	Composite Video in (RCA)	x 1	
	S-Video in (Mini DIN 4pin)	x 1	
	HDMI	x 1	
	Audio in (Mini Jack)	x 1	
	Audio out (Mini Jack)	x 1	
	Audio L/R	*1	
	Speaker	10W x 2	
	USB (Type mini B)	x 2 (PointWrite interactive module)	
	USB (Type B)	x 1 (FW download)	
	RJ45	x 1 (LAN control)	
	RS232 (DB-9pin)	x 1	
	IR Receiver	x 1 (Front)	
<b>Dimensions</b>	Dimensions(W x H x D)	373.3*287.5*130.2mm (w/o Mirror) 373.3*287.5*201mm(w Mirror)	
	Weight	5KG(w/o wall mount)	
<b>Power</b>	Power Supply	AC100 to 240 V, 50 to 60 Hz	
	Power Consumption	typical 290W, stanby power <0.5W	
<b>Audible Noise</b>	33/29 dBA (Normal/Economic mode)		
<b>On-Screen Display Languages</b>	Arabic/Bulgarian/ Croatian/ Czech/ Danish/ Dutch/ English/ Finnish/ French/ German/ Greek/ Hindi/ Hungarian/ Italian/ Indonesian/ Japanese/ Korean/ Norwegian/ Polish/ Portuguese/ Romanian/ Russian/ Simplified Chinese/Spanish/ Swedish/ Turkish/ Thai/ Traditional Chinese (28 Languages)		
<b>Picture Modes</b>	Dynamic/Presentation/sRGB/Cinema/(3D)/User 1/User 2		
<b>Accessories</b>	<b>Standard</b>	<b>Optional</b>	
	Remote Control w/ Battery	RCE012	Spare Lamp Kit 5JJ8M05.011
	Power Cord (by region)	2.9M	Wall Mount WM04G4
	User Manual CD	*1	3D Glasses DGD24
	Quick Start Guide	*1	Document Camera S30
	Warranty Card (by region)	*1	PointWrite kit PW01U
	VGA(D-sub 15pin) Cable	*1	
	Dust filter(C SKU)	*1	
	Wall mount kit (installation guide)	*1	

\*Lamp life results will vary depending on environmental conditions and usage. Actual product's features and specifications are subject to change without notice.

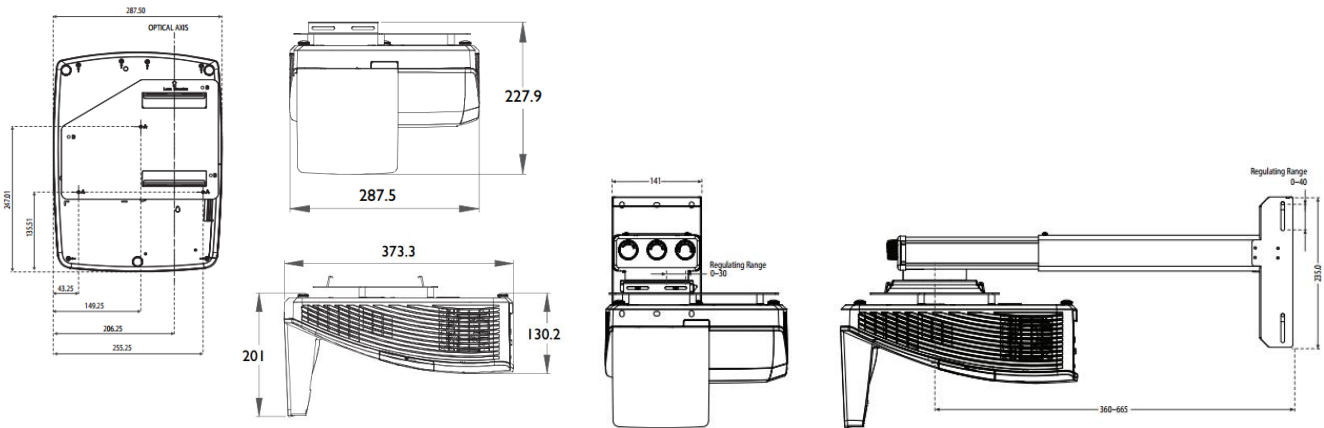
# MW853UST Digital Projector

## Distance Chart

Screen size (Diagonal)	Screen width (W)		Screen Height (h)		WXGA Projection distance (D)		Offset (H)		Scale parameter	Distance between Wall plate & projection screen (V)	
	inch	mm	inch	mm	inch	mm	inch	mm			
80	2032	67	1723	42	1077	11.11	282.3	11.02	280	495	254.7
85	2159	71	1831	45	1144	12.73	323.3	11.59	294.3	535	269
87	2210	73	1874	46	1171	13.40	340.3	11.82	300.2	555	274.9
90	2286	76	1939	47	1212	14.38	365.3	12.16	308.9	580	283.6
92	2337	77	1982	48	1239	15.01	381.3	12.38	314.4	600	289.1
95	2413	80	2046	50	1279	15.98	405.8	12.72	323	625	297.7
97	2464	81	2089	51	1306	16.65	422.8	12.95	328.9	645	303.6
100	2540	85	2154	53	1346	17.55	445.8	13.26	336.9	665	311.6



## Wall mount/Ceiling mount Chart



## Dimension



Unit: mm

