



Model Name **MX852UST Digital Projector**

Unique selling point **Trade Mark**

- * SmartEco Power Saving technology
- * Blu-ray Full HD 3D Supported
- * Up to 7000hours lamp life
- * PointWrite interactive kit compatible



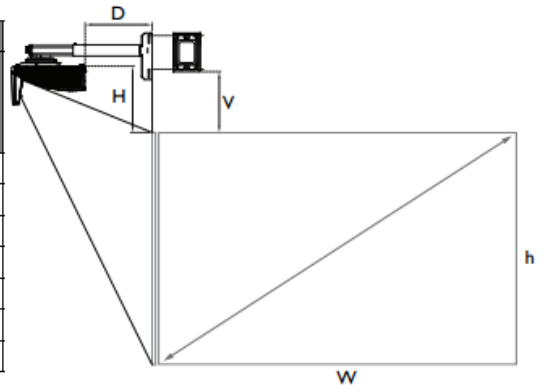
Projection System	DLP		
Native Resolution	XGA(1024*768)		
Brightness	3000AL		
Contrast Ratio	8000:1		
Display Color	1.07 Billion Colors		
Lens	F2.5,f=5.1mm		
Aspect Ratio	Native 4:3 (5 aspect ratio selectable)		
Throw Ratio	0.43		
Image Size (Diagonal)	68"~85", Optimal 78"		
Zoom Ratio	Fix		
Lamp Type	230W		
Lamp(Normal/Economic/SmartEco Mode)*	4000/5000/7000 hours		
Keystone Adjustment	1D, Vertical +/- 40 degrees		
Projection Offset	140% ±5%		
Resolution Support	VGA(640 x 480) to UXGA(1600 x 1200)		
Horizontal Frequency	15~102KHz		
Vertical Scan Rate	23~120Hz		
Compatibility	HDTV Compatibility	480i, 480p, 576i, 576p, 720p, 1080i, 1080p	
	Video Compatibility	NTSC, PAL, SECAM	
Interface	Computer in (D-sub 15pin)	x 2(Shared with component)	
	Monitor out (D-sub 15pin)	x 1	
	Composite Video in (RCA)	x 1	
	S-Video in (Mini DIN 4pin)	x 1	
	HDMI	x 1	
	Audio in (Mini Jack)	x 1	
	Audio out (Mini Jack)	x 1	
	Audio L/R	*1	
	Speaker	10W x 2	
	USB (Type mini B)	x 2 (PointWrite interactive module)	
	USB (Type B)	x 1 (FW download)	
	RJ45	x 1 (LAN control)	
	RS232 (DB-9pin)	x 1	
	IR Receiver	x 1 (Front)	
Dimensions	Dimensions(W x H x D)	373.3*287.5*130.2mm (w/o Mirror) 373.3*287.5*201mm(w Mirror)	
	Weight	5KG(w/o wall mount)	
Power	Power Supply	AC100 to 240 V, 50 to 60 Hz	
	Power Consumption	typical 290W, stanby power <0.5W	
Audible Noise	33/29 dBA (Normal/Economic mode)		
On-Screen Display Languages	Arabic/Bulgarian/ Croatian/ Czech/ Danish/ Dutch/ English/ Finnish/ French/ German/ Greek/ Hindi/ Hungarian/ Italian/ Indonesian/ Japanese/ Korean/ Norwegian/ Polish/ Portuguese/ Romanian/ Russian/ Simplified Chinese/Spanish/ Swedish/ Turkish/ Thai/ Traditional Chinese (28 Languages)		
Picture Modes	Dynamic/Presentation/sRGB/Cinema/(3D)/User 1/User 2		
Accessories	Standard	Optional	
	Remote Control w/ Battery	RCE012	Spare Lamp Kit 5JJ8M05.011
	Power Cord (by region)	2.9M	Wall Mount WM04G4
	User Manual CD	*1	3D Glasses DGD24
	Quick Start Guide	*1	Document Camera S30
	Warranty Card (by region)	*1	PointWrite kit PW01U
	VGA(D-sub 15pin) Cable	*1	
	Dust filter(C SKU)	*1	
	Wall mount kit (installation guide)	*1	

*Lamp life results will vary depending on environmental conditions and usage. Actual product's features and specifications are subject to change without notice.

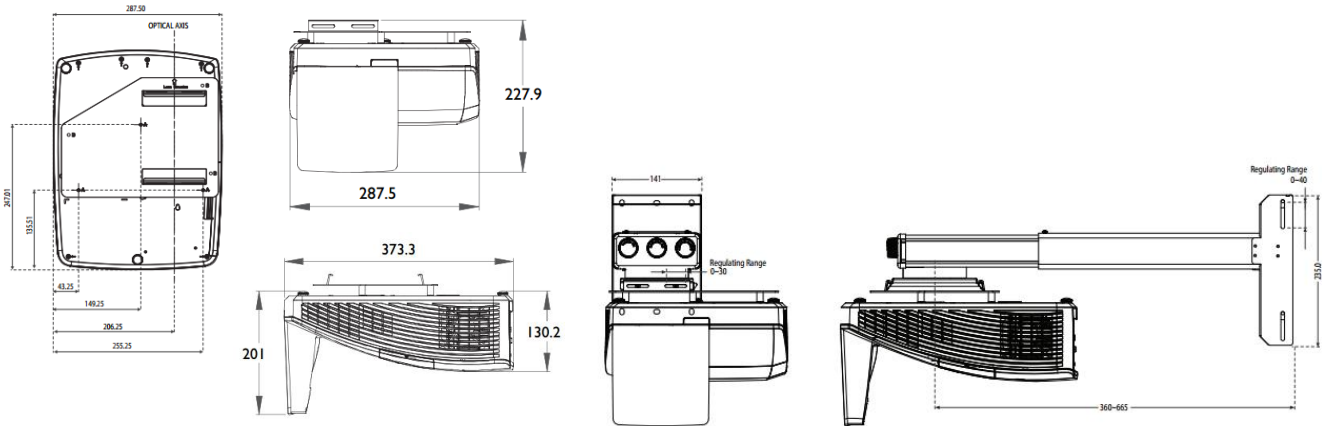
MX852UST Digital Projector

Distance Chart

XGA											
Screen size (Diagonal)		Screen width (W)		Screen Height (h)		Projection distance (D)		Offset (H)		Scale parameter	Distance between Wall plate & projection screen (V)
inch	mm	inch	mm	inch	mm	inch	mm	inch	mm	mm	
68	1727	54	1382	40	1036	11.16	283.4	11.86	301.3	500	273.5
70	1778	55	1422	42	1067	11.91	302.4	12.15	308.5	515	280.7
75	1905	59	1524	45	1143	13.83	351.4	12.88	327.2	560	299.4
77	1956	61	1565	46	1173	14.62	371.4	13.18	334.8	585	307
80	2032	63	1626	48	1219	15.72	399.4	13.60	345.4	615	317.6
82	2083	65	1666	49	1250	16.51	419.4	13.90	353	635	325.2
85	2159	67	1727	51	1295	17.61	447.4	14.32	363.7	665	335.9



Wall mount/Ceiling mount Chart



Dimension



Unit: mm

