



Model Name W2000 Digital Projector

Unique Selling Point

- * Rec. 709 HDTV standard
- * 1.3X short-throw, big zoom lens
- * Vertical lens shift
- * 2D keystone
- * CinemaMaster Audio Enhancer

Trade Mark



Projection System	DLP
Native Resolution	1080p (1920 x 1080)
Brightness	2000 AL
FOFO Contrast Ratio	15000:1
Display Color	1.07 Billion Colors
Lens	F = 2.59 - 2.87, f = 16.88 - 21.88 mm
Aspect Ratio	Native 16:9 (5 aspect ratio selectable)
Throw Ratio	1.15 - 1.5 (100" @ 2.5m)
Image Size (Clear Focus / Maximum)	60"~180" / 300"
Zoom Ratio	1.3:1
Lamp Type	240W
Lamp Mode (Normal/Eco/SmartEco)*	3500 / 5000 / 6000 hours
Keystone Adjustment	Auto Vertical & Manual Horizontal ± 30 degrees
Projection Offset	105% ± 2.5%
Lens Shift	Vertical +10%
Resolution Support	VGA(640 x 480) to WUXGA_RB (1920 x 1200) *RB = Reduced Blanking
Horizontal Frequency	15 - 102KHz
Vertical Scan Rate	23 - 120Hz
Color Wheel Segment	6-Segment (RGBRGB)
Color Wheel Speed	6x (50Hz), 4x (60Hz)

Compatibility	HDTV Compatibility	480i, 480p, 576i, 576p, 720p, 1080i, 1080p
	Video Compatibility	NTSC, PAL, SECAM
	3D Compatibility (Please refer to User's Manual for detailed support timing.)	Frame Sequential: Up to 720p Frame Packing: Up to 1080p Side by Side: Up to 1080i/p Top Bottom: Up to 1080p

Interface	PC (D-Sub)	x 1
	Composite Video In	x 1
	Component Video In	x 1
	HDMI	x 3
	MHL	x 2 (Share with HDMI-2 & HDMI-3)
	Audio In	x 1
	Audio L/R In	x 1
	Audio Out	x 1
	Chamber Speaker	10W x 2
	USB (Type A)	x 1 (5V / 1.5A power supply)
	USB (Type B)	x 1 (Inside projector for WDP02 power supply)
	USB (Type mini B)	x 1 (Service)
	RS232	x 1
	DC 12V Trigger	x 1
IR Receiver	x 2 (Front & Top)	

Physical	Dimensions (W x H x D)	380.5 x 121.7 x 277 mm
	Weight	3.6 kg (7.93 lbs)

Power	Power Supply	AC100 to 240 V, 50 to 60 Hz
	Power Consumption	Normal 353W, Eco 292W, Standby <0.5W

Audible Noise	29/27 dBA (Normal/Economic mode)
---------------	----------------------------------

On-Screen Display Languages	Arabic/Bulgarian/ Croatian/ Czech/ Danish/ Dutch/ English/ Finnish/ French/ German/ Greek/ Hindi/ Hungarian/ Italian/ Indonesian/ Japanese/ Korean/ Norwegian/ Polish/ Portuguese/ Romanian/ Russian/ Simplified Chinese/Spanish/ Swedish/ Turkish/ Thai/ Traditional Chinese (28 Languages)
-----------------------------	--

Picture Modes	** ISF Disabled: Bright / Vivid / Cinema (Rec. 709) / Game / User 1 / User 2 / (3D) *** ISF Enabled: Bright / Vivid / Cinema (Rec. 709) / Game / User 1 / User 2 / ISF Night / ISF Day / (3D)
---------------	--

	Standard	Optional
Accessories	Lens Cover	Spare Lamp Kit
	Remote Control with Battery	Ceiling Mount
	Power Cord (by region)	Carry Bag
	User Manual CD	Wireless FHD Kit
	Quick Start Guide	DLP 3D Glasses
	Warranty Card	

Environmental Notice	Lamp in this product contains mercury. To dispose of the product or used lamps, consult your local environment authorities for regulations or see www.lamprecycle.org .
----------------------	--

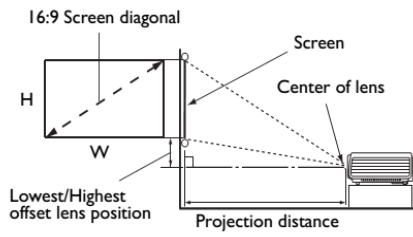
*Lamp life results will vary depending on environmental conditions and usage. Actual product's features and specifications are subject to change without notice.

** Default picture mode is **Standard**. When 3D is on, picture mode menu only show 3D. When 3D is off, 3D will also disappear.

*** When ISF is enable, default picture mode is **ISF Night**. When 3D is on, picture mode only show 3D. When 3D is off, 3D will also disappear.

W2000 Digital Projector

Distance Chart

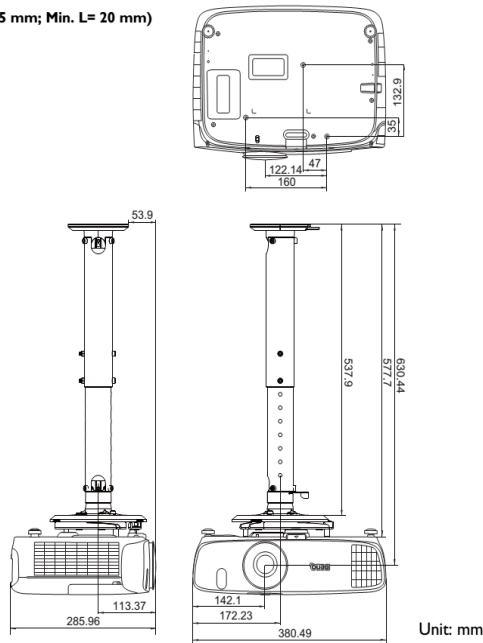


Screen size				Projection distance (mm)			Lowest/Highest offset lens position (mm)	
Diagonal		H (mm)	W (mm)	Min. distance (max. zoom)	Average	Max. distance (min. zoom)	min	max.
60	1524	747	1328	1519	1747	1975	37	112
70	1778	872	1550	1772	2038	2304	44	131
80	2032	996	1771	2025	2329	2633	50	149
90	2286	1121	1992	2278	2620	2962	56	168
100	2540	1245	2214	2532	2911	3291	62	187
110	2794	1370	2435	2785	3203	3620	68	205
120	3048	1494	2657	3038	3494	3949	75	224
130	3302	1619	2878	3291	3785	4278	81	243
140	3556	1743	3099	3544	4076	4608	87	262
150	3810	1868	3321	3797	4367	4937	93	280
160	4064	1992	3542	4051	4658	5266	100	299
170	4318	2117	3763	4304	4949	5595	106	318
180	4572	2241	3985	4557	5241	5924	112	336

All measurements are approximate and may vary from the actual sizes. If you want a permanent installation of the projector, we recommend that you use the actual projector to physically test the projection size, distance, and the projector's optical characteristics prior to the installation. This helps you determine the exact mounting position which best suits your installation.

Wall Mount / Ceiling Mount Chart

Ⓞ Ceiling mount screws: M4
(Max. L = 25 mm; Min. L = 20 mm)



Dimension

